

Data sheet:

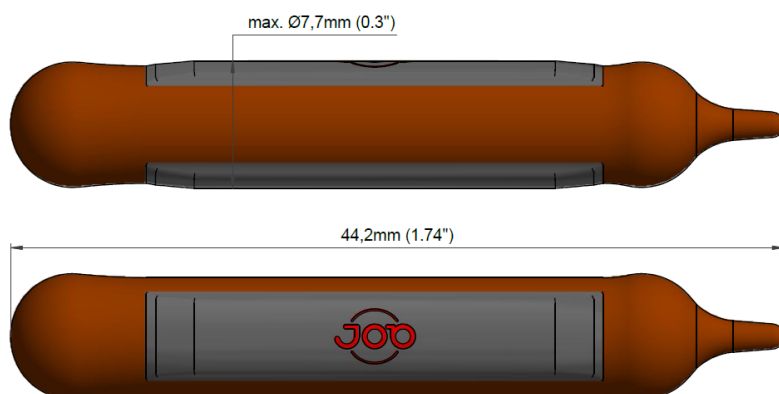
Part name: E-Bulb 7x40 10A-085-165

Part number: 100729

Description: Extinguishing bulb E-Bulb at 7mm diameter and 40mm length (see drawings) and conductively coated for 10A (see electrical specs). The 10A E-Bulb comprises two conductive layers. The E-Bulb activates based on temperature.

1) Dimensions and protected volume

- *E-Bulb 7x40 10A*



Technical drawings, 3D data and footprint plans are available from the manufacturer.

The protected volume can be calculated in accordance with applicable standards for clean agent extinguishing systems, e.g. NFPA 2001.

E-Bulb 7x40 (10A):

Gas volume V_{gas} [ml] 88,5

Protected Volume $V_{4\%}$ [ml]¹ 2.212

¹In accordance with NFPA 2001 "Clean Agent Extinguishing Systems", JOB does not accept responsibility for the application specific sizing and selection of the E-Bulb

The thermal activation (initiation) window is between 120°C/248°F (lowest activation temperature) and 165°C/330°F (maximum activation temperature, $T_f = 165^\circ\text{C}$). Typical activation is at the lower end of the activation window.

The lowest allowed storage and operation temperature: -40°C/-40F

The length of the electrical coating is at least as long as seen on the graphics. Productional it can be a few millimeters longer.

2) Electrical data

Voltage: 0..250V AC (15..60Hz)

Current rating: 10A

The current rating is defined as the maximum allowed current over the E-Bulb at 85°C/185°F (Th=85°C).

Distributor:

JOB GmbH
Kurt-Fischer-Str 30
D-22926 Ahrensburg
Germany